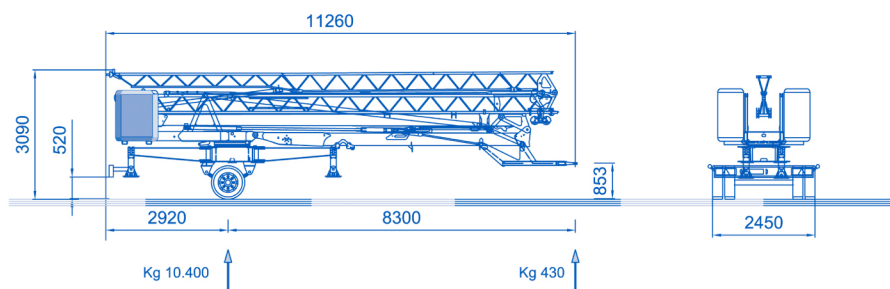
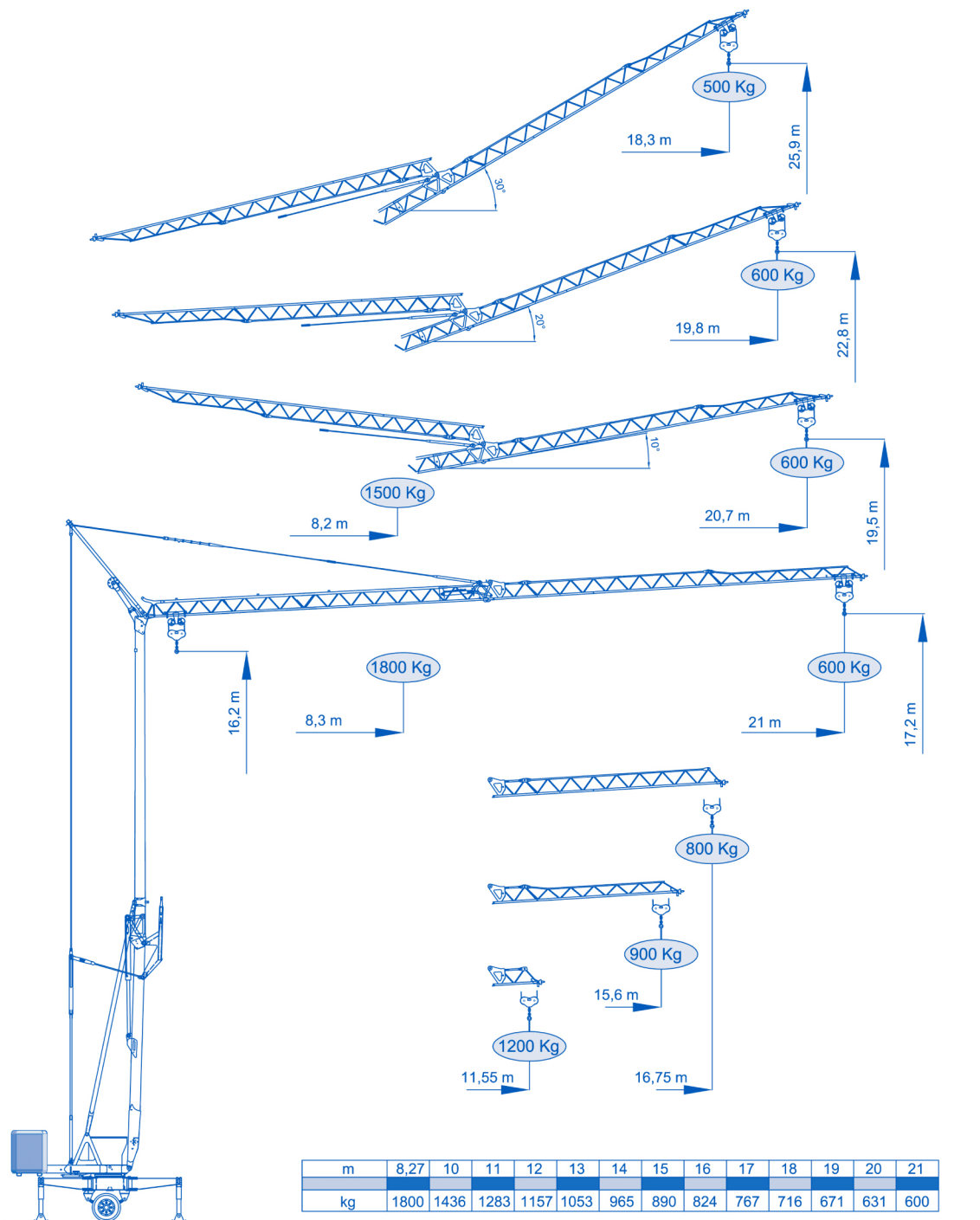
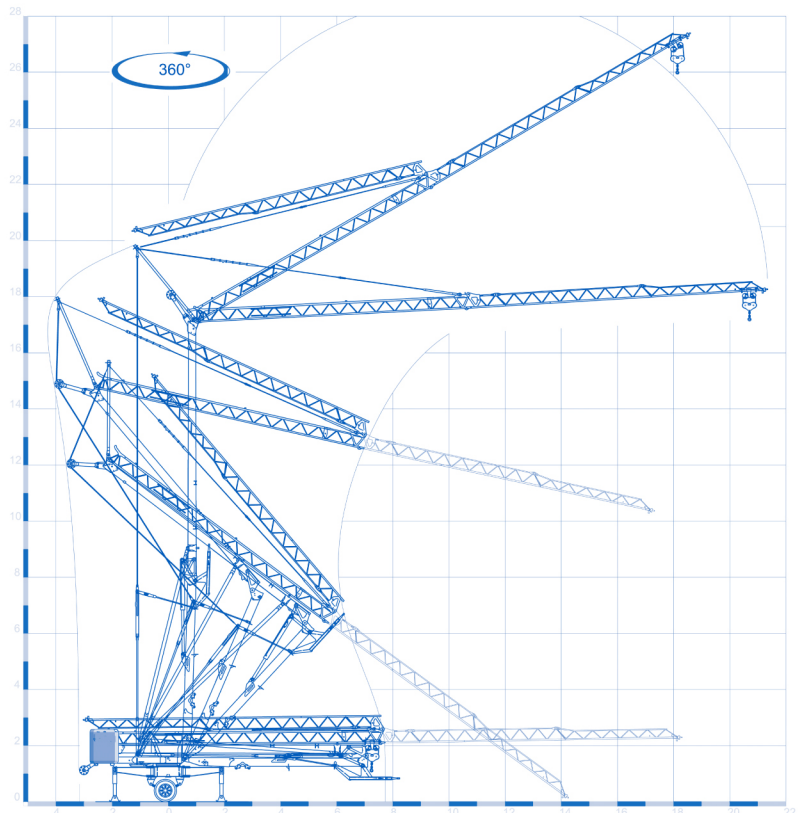
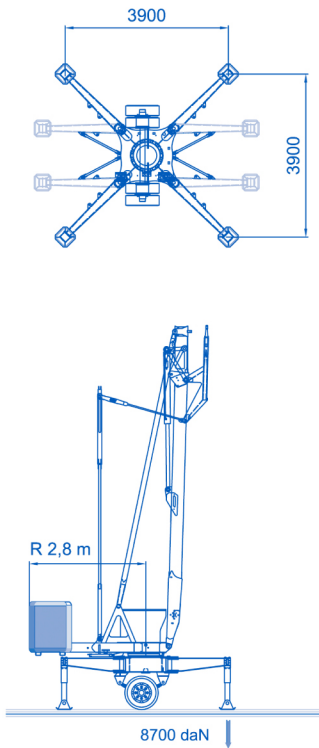


# EUROGRU®

## DS 216

DIN / FEM / CNR CE





50 Hz V +10%-10%		230 V		400 V				
		3kVA (*4,5 kVA ↑)		6 kVA				
m/l' kg kW								
	6.7 1800	13.5(*) 1800	23.5 700	37(*) 700	6.7 1800	13.5 1800	23.5 700	37 700
5,5 (Inverter)								
m/l' kW								
	11.8		18,9		35.4 (↙ 26)			
1.85 (Inverter)								
n/l' kW								
	0.22		0.56		1.12			
1.2 (Inverter)								
min kW								
	5							
1.5								
km/h	25 - 80 km/h		6800 Kg		2 x 2100 kg			

tel. kontaktowy 697 863 087